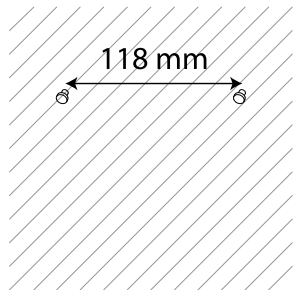


# W 3 / W 10 Wall mount plastic loudspeaker



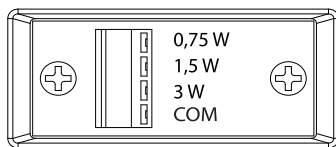
## INSTALLATION MANUAL

①



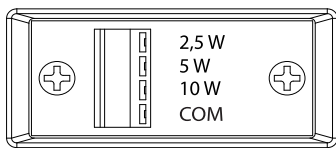
1. Fix mounting screws on solid surface (recommended distance between centers of screws holes is 118 mm for both models).

②



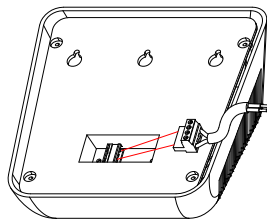
W 3

2. Choose desired transformer power tap and connect it. Transformation power taps for each model are marked on the left.



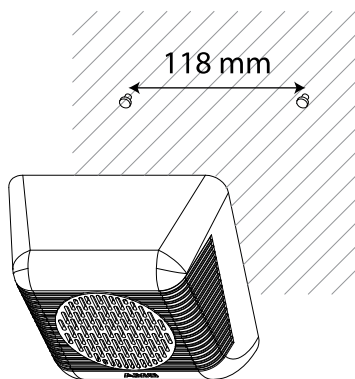
W 10

③



3. Connect audio cable to the Phoenix connector located on the rear panel. Power taps for both loudspeaker models are marked near the connector.

④



4. Fix the loudspeaker on the wall.

