



## ATEN Altusen™ SN3101 Serial Device Server Quick Start Guide

© Copyright 2020 ATEN International Co., Ltd. www.aten.com  
Altusen and the Altusen logo are trademarks of ATEN International Co., Ltd.  
All rights reserved. All other trademarks are the property of their respective owners.  
This product is RoHS compliant PAPE-1214-Z01G Printing Date: 08/2020



All information, documentation, firmware, software utilities, and specifications contained in this package are subject to change without prior notification by the manufacturer. Please visit our website <http://www.aten.com/download/?cid=dds> for the most up-to-date versions.

**Online Registration**  
International:  
• <http://support.aten.com>  
North America:  
• [http://www.aten-usa.com/product\\_registration](http://www.aten-usa.com/product_registration)  
**Technical Phone Support**  
International:  
• 866-2-8692-6959  
China:  
• 86-10-5255-0110  
Japan:  
• 81-3-5615-5811  
Korea:  
• 82-2-467-6789  
North America:  
• 1-888-999-ATEN Ext: 4988  
United Kingdom:  
• 44-8-4481-58923



## 1 Package Contents

- |                               |                     |
|-------------------------------|---------------------|
| 1 SN3101 Serial Device Server | 1 User Instructions |
| 1 Power Adapter               |                     |
| 1 DC Terminal Connector       |                     |
| 1 Mounting Kit                |                     |

### Important Notice

Considering environmental protection, ATEN does not provide a fully printed user manual for this product. If the information contained in the Quick Start Guide is not enough for you to configure and operate your product, please visit our website [www.aten.com](http://www.aten.com), and download the full user manual.

## 2 Restrictions and Requirements

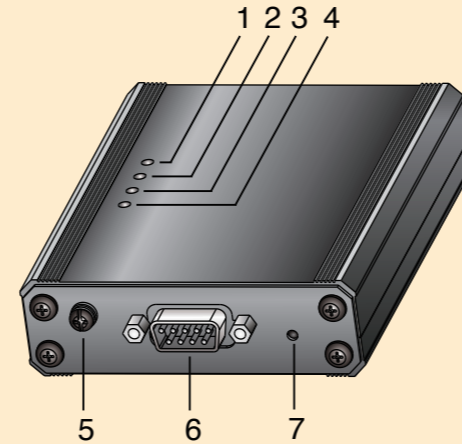
- Java Runtime Environment (JRE) 8 or later must be installed on your computer. You can download JRE from the website: <https://java.com>
- The devices that connect to the SN3101 must support one of the following serial protocols:
  - RS-232 (protocol or terminal operations)
  - RS-422
  - RS-485
- To have Virtual COM mode applied to your application, make sure you have Real COM Port drivers (for Windows) or TTY drivers (for Linux) installed. Refer to SN3101's product page for information such as user manual, driver, firmware, and MIB file.

Scan for  
more information



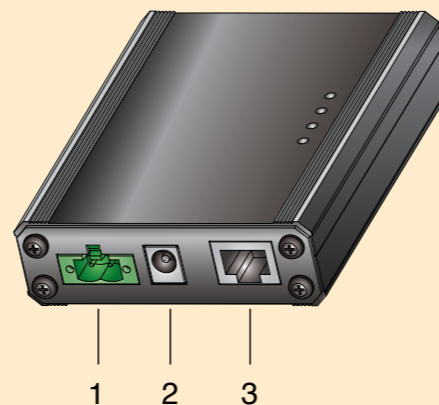
## 3 Hardware Review (Front View)

1. Power LED
2. Link LED
3. 10/100 Mbps Data LED
4. Tx/Rx (ACT) LED
5. Grounding Terminal
6. Serial Port
7. Reset Switch



## 4 Hardware Review (Rear View)

1. DC Terminal
2. DC Jack
3. LAN Port



## 5 Mounting

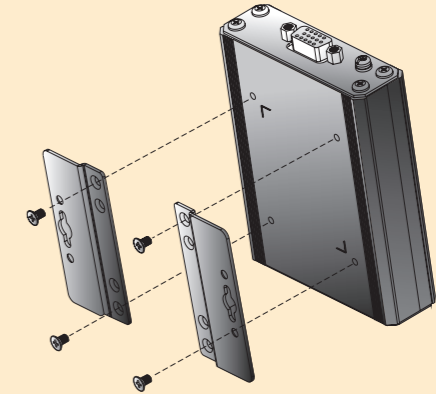
For flexibility and convenience, the SN3101 can be wall mounted or DIN rail mounted, as described in the sections that follow.

### Wall Mounting

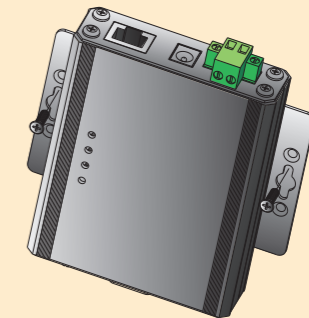
To wall mount the SN3101:

1. Use the smaller screws supplied with the Mounting Kit to screw the mounting brackets into the back of the unit:

**Note:** If you use third party screws, the length of the shank (the threaded portion) must not exceed 4.50 mm.



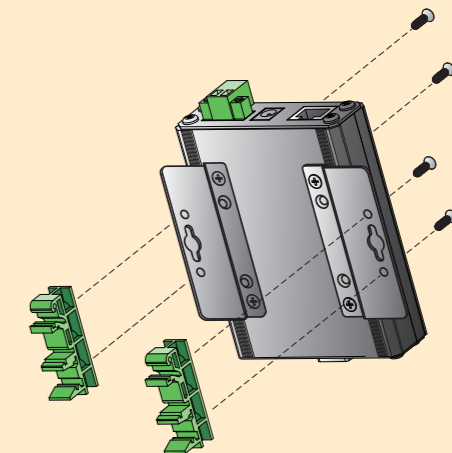
2. Screw the mounting brackets to the wall.



### DIN Rail Mounting

To mount the SN3101 on a DIN rail:

1. Screw the mounting brackets to the back of the SN3101 as described in step 1 of the wall mounting procedure.
2. Use the larger screws supplied with the Mounting Kit to screw the DIN rail brackets to the mounting brackets – as shown in the diagram, below:



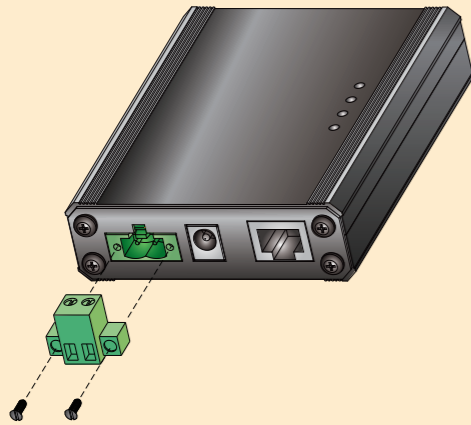
3. Hang the unit on the DIN Rail.

# 6

## Hardware Installation

To install the SN3101, do the following:

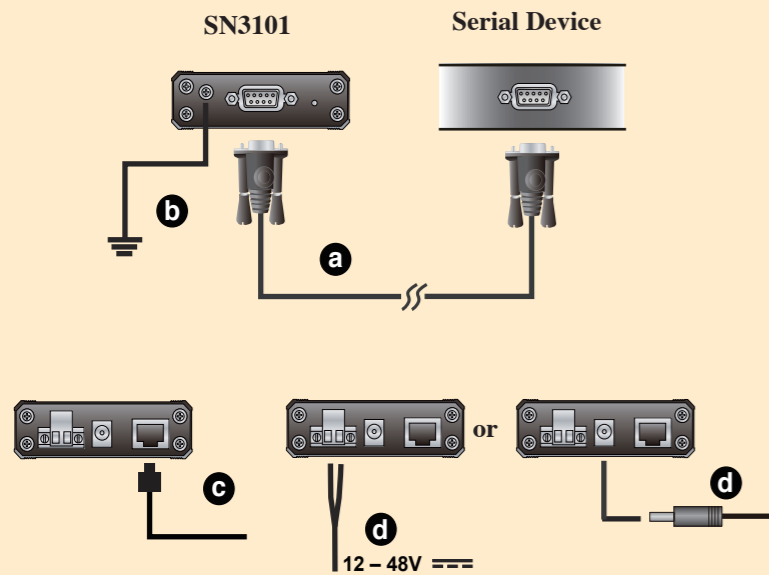
1. If you intend to use the DC terminal, screw the DC terminal connector to the block – as shown in the following diagram



Refer to the Installation diagram as you do the following:

- a. Use a null modem cable to connect the SN3101's serial port to your serial device.
- b. Ground the device.
- c. Plug the cable that connects the SN3101 to the network or the Internet into the LAN port.
- d. Connect the DC power source to the device.

### SN3101 Installation Diagram:



# 7

## Operation

### Logging In

SN3101 operation is Internet browser based. To begin:

1. Open your browser and specify the IP address of the SN3101 you want to access in the browser's URL location bar.

**Note:** If you are logging in for the first time, use SN3101's default IP address: 192.168.0.60.

2. A Security Alert dialog box appears. Accept the certificate.
3. A login dialog box, like the one below, appears:

**SN3101 - Login**

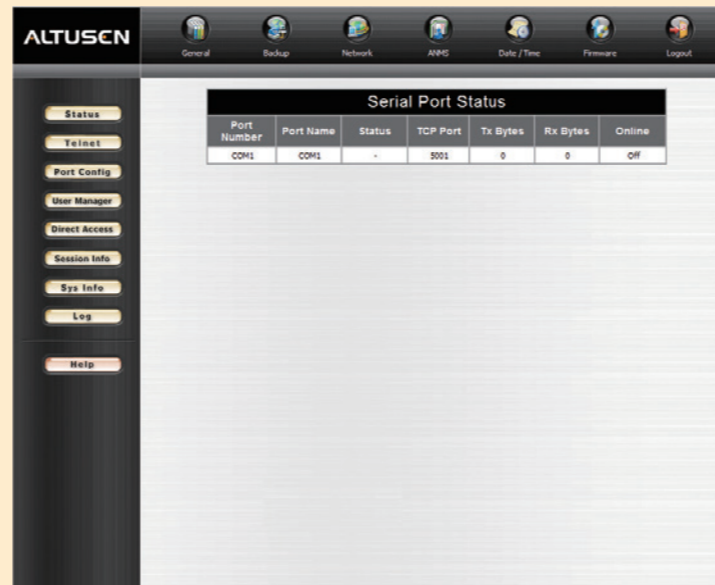
Username:

Password:

4. Provide a valid Username and Password (set up by the administrator), then Click Login to continue.

**Note:** If you are the administrator, and are logging in for the first time, use the default Username: **administrator**; and the default Password: **password**. For security purposes, we strongly recommend you change these and give yourself a unique Username and Password.

After you have successfully logged in, the Main Screen appears:



# 8

## Specifications

Function		Specification	
Connectors	Serial	1 x DB-9 M (Black)	
	Network	1 x RJ-45 (Black)	
	Power	PWR1	1 x 2-pin Terminal Block (Green)
		PWR2	1 x DC Jack (Black)
Switches	Reset	1 x Semi-recessed Pushbutton	
LEDs	Power	1 x Green	
	Link	1 x Green	
	10/100 Mbps	1 x Orange/Green	
	TxRx (ACT)	1 x Green	
Power Input	PWR1	12-48V DC (2-pin Terminal Block)	
	PWR2	9-30V DC (Power Adapter Jack)	
	Power Adapter	100-240V AC; 50-60 Hz	
Power Line Protection		4KV burst (EFT), EN61000-4-4 2KV surge, EN61000-4-4	
Power Consumption		9V, 2.7W	
Interfaces	Serial	Standards	RS-232/422/485; Software selectable
		Baud Rate	460Kbps
		RS-232 Signals	TxD, RxD, RTS, CTS, DTR, DSR, DCD, GND
		RS-422 Signals	Tx+, Tx-, Rx+, Rx-, RTS+, RTS-, CTS+, CTS-, GND
		RS-485 Signals	Data+, Data-, GND
		Serial Protection	15 KV ESD Protection for the serial port
		Parity	None, Even, Odd, Mark, Space
		Data Bits	5, 6, 7, 8
	Network	Stop Bits	1,1,5,2
		Flow Control	None, XON/XOFF, RTS/CTS
		Standards	10/100BaseTX; Autosensing
		Protection	1.5 KV Magnetic Isolation
		Protocols	ARP, DHCP, DNS, HTTP, HTTPS, ICMP, IP, TCP, UDP, NTP, PPP, RADIUS, Telnet, SNMP, SNMP Trap, SMTP, SSH
		Regulatory Approval	
Environment	Operating Temp.	0-60°C	
	Storage Temp.	-20-85°C	
	Humidity	0-95% RH , Non-condensing	
Physical Properties	Housing	Metal	
	Weight	0.22 kg	
	Dimensions (L x W x H)	10.69 x 7.90 x 2.44 cm	