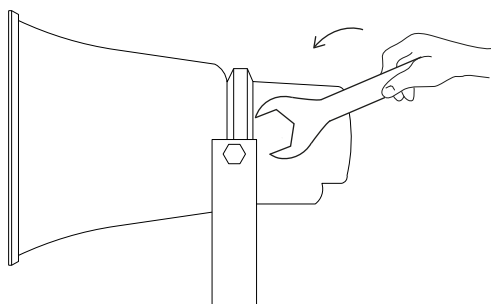
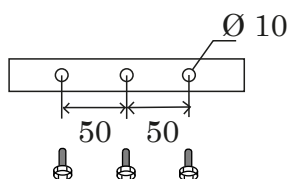


INSTALLATION MANUAL

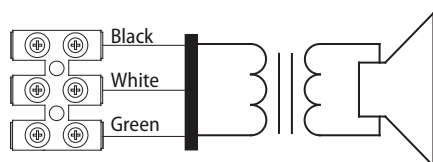
- ① Remove mounting bracket from horn loudspeaker.



- ② Fix mounting bracket on the flat surface.



- ③ Connect speaker to 100V audio line via block terminal.



| COLOR | HQ 15 |
|-------|-------|
| Black | COM |
| White | 30 W |
| Green | 15 W |

- ④ Place loudspeaker in mounting bracket.

