

VC-A60S 30x PTZ Camera

LumensTM
Brilliance by Design

The Lumens™ VC-A60S HD Pan/Tilt/Zoom (PTZ) camera is equipped with a professional 1/2.8 inch image sensor with Full HD 1080p output resolution and a high dynamic image quality of 60 frames per second. The superior 30x optical zoom lens with professional noise reduction and wide dynamic range technology delivers a clear image even in low light, backlight or the extreme contrast of brightness and darkness in a room.

The camera utilizes a highly efficient DC motor servo controller to achieve high-speed, quiet and precise positioning movements. The VC-A60S supports 3G-SDI, DVI, component and C-Video interfaces allowing four simultaneous image outputs with the best possible image quality and is compatible with all types of video equipment. The VC-A60S is applicable for lecture capture, videoconferencing and broadcasting systems.

Key Features

- Dual color option for different kinds of settings
- With professional noise reduction technology a clear image is delivered
- Supports Wide Dynamic Range (WDR) to provide a vivid image even with backlighting
- Full HD 1080p with 60 frames per second
- 360 times variable zoom ratio (30x optical zoom with 12x digital zoom)
- Supports manual white balance function for a complex lighting environment
- 3G-SDI, DVI, Component, C-Video image output synchronously
- Maximum horizontal/vertical speed of rotation: 300° / sec
- Wide Pan/Tilt/Zoom mechanism:
Horizontal viewing angle: -170° to +170°
Tilting angle up to 90°, and down to -30°
- Compatible with major videoconferencing and lecture capture codec



More Details

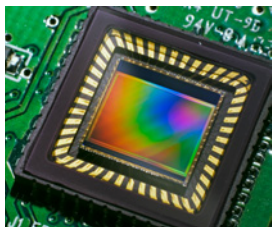


Image Quality

Equipped with a professional 1/2.8 inch image sensor with Full HD 1080p output resolution providing high color reproduction, high definition and a crystal-clear image.



Advanced Image Processing

The advanced AF/AE/AWB algorithm and circuit design ensures a pristine image during the pan, tilt, zoom & capture function.



Professional Zoom Lens

The VC-A60S has a 30x optical zoom lens with 12x digital zoom, making the zoom ratio 360 times larger. At maximum magnification, the view provides excellent image detail, shape and color without any distortions.



Wide Range Pan/Tilt/Zoom Action

The high efficient DC motor, servo control has wide shooting area (pan angle: from -170° to +170° ; tilt angle from -30° to +90°), as well as quiet, fast, and precise positioning movements.



Multiple Signal Formats

VC-A60S is able to switch video output formats from NTSC/PAL, SD, to Full HD for compatibility in various display devices.



3G-SDI Interface

Supports 3G-SDI standard interface for transmitting uncompressed digital video signal without any delay, and the transmission distance is up to 150 meters.



128 Preset Positions

Up to 128 preset settings for pan, tilt, zoom, focus, exposure and white balance modes make video conferencing effective and efficient.



RS-232/422 Remote Control

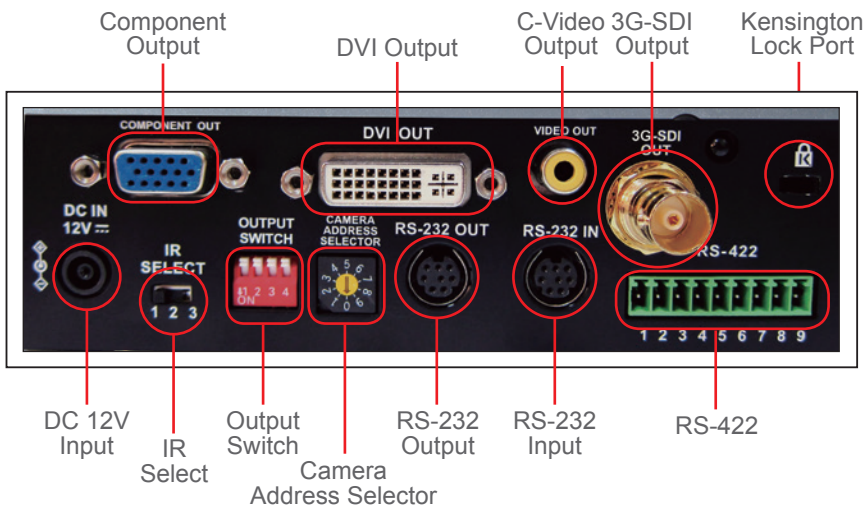
Camera settings and PTZ control functions to be performed remotely at any location and at high communication speeds via the RS-232/422 interface.

Product Specifications

Sensor	1/2.8" 2 MP CMOS
Video Output	1080p 60 / 59.94 / 50 / 29.97 fps 1080i 60 / 50 fps 720p 60 / 59.94 / 50 fps 720p 30 / 29.97 / 25 fps NTSC / PAL
Optical Zoom	30x
Panning Angle	-170° ~ +170°
Tilting Angle	-30° ~ +90°
Preset Positions	128
Video Output(HD) Interface	Component, DVI, 3G-SDI
Video Output(SD) Interface	CVBS (C-Video)
Camera Control Interface/Protocol	RS-232 / RS-422
Video S/N Ratio	> 50dB

Shutter Speed	1/1 ~ 1/10,000 sec
Focal Length	f = 4.3mm ~ 129mm
Horizontal Viewing Angle	65°
Aperture	F1.6 ~ F4.7
Minimum Illumination	0.1 lux (F1.6, 50IRE, 30fps)
Minimum Object Distance	10 (Wide) ~ 1200 (Tele) mm
Digital Zoom	12x
Gain Control	Auto, manual
White Balance	Auto, indoor, outdoor, one-push, manual R/B Gain
Exposure Control	Auto, manual
Focus System	Auto, manual
Image Flip	Yes
Weight	2.0 kg (4.4 lbs)
Dimensions(W x D x H)	Black 174 x 186 x 182.7 mm (6.9" x 7.3" x 7.2") White 174 x 186 x 185.7 mm (6.9" x 7.3" x 7.3")

I/O CONNECTIONS



Accessory

The VC-AC06/AC07 cable extender allows users to extend the distance between the computer / keyboard controller and cameras up to 300 ft (100 meters) via the RJ45 CAT5/6 cable. The VC-AC07 also supports the daisy-chain style to link up to seven cameras.



VC-AC06



VC-AC07