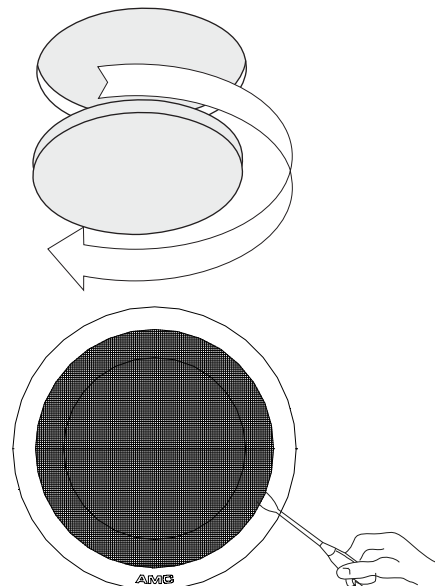


PC 5T Plastic ceiling loudspeaker

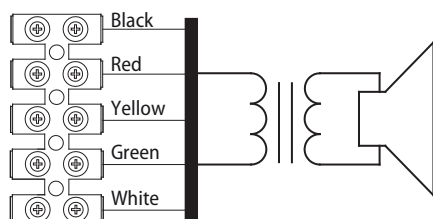
INSTALLATION MANUAL

- ① Cut out Ø 170 mm hole for PC 5T.



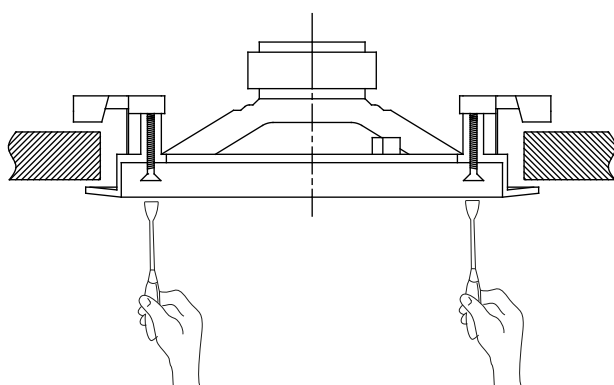
- ② Remove the front grill.

- ③ Connect speaker to signal line via block terminal.



COLOR	PC 5T
Black	COM
Red	1.5 W
Yellow	2.5 W
Green	5 W
White	10 W

- ④ Carefully push speaker in the cut hole and fix the loudspeaker with mounting screws.



- ⑤ Mount the grill on the loudspeaker.